



M.S.

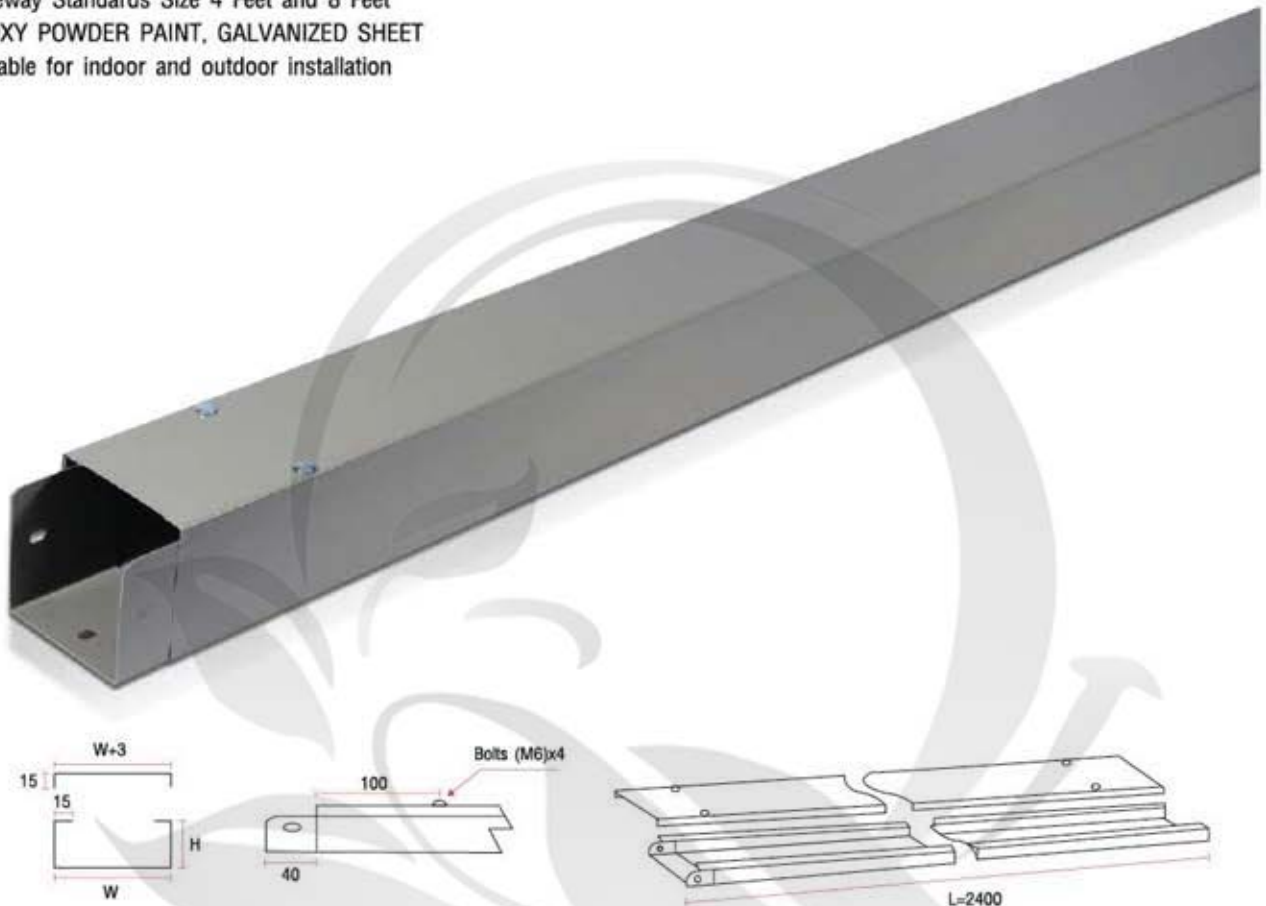
M.S.SWITCH BOARD CO.,LTD.



**CABINET MANUFACTURERS
SWITCH BOARD EQUIPMENT CABLE TRAY SYSTEM**

■ Steel Wireway

- Wireway Standards Size 4 Feet and 8 Feet
- EPOXY POWDER PAINT, GALVANIZED SHEET
- Suitable for indoor and outdoor installation



Epoxy Powder Paint

M.S. Type	Size (W x H x L)			Thickness (mm)			
	W	H	L	1.0	1.2	1.5	2.0
WE 1	75	50	2440				
WE 2	100	50	2440				
WE 3	100	75	2440				
WE 4	100	100	2440				
WE 5	150	100	2440				
WE 6	200	100	2440				
WE 7	250	100	2440				
WE 8	300	100	2440				
WE 9	350	100	2440				
WE 10	400	100	2440				
WE 11	450	100	2440				
WE 12	500	100	2440				
WE 13	550	100	2440				
WE 14	600	100	2440				
WE 15	650	100	2440				
WE 16	700	100	2440				
WE 17	750	100	2440				
WE 18	800	100	2440				

Hot Dip Galvanized

M.S. Type	Size (W x H x L)			Thickness (mm)			
	W	H	L	1.0	1.2	1.5	2.0
WG 1	75	50	2440				
WG 2	100	50	2440				
WG 3	100	75	2440				
WG 4	100	100	2440				
WG 5	150	100	2440				
WG 6	200	100	2440				
WG 7	250	100	2440				
WG 8	300	100	2440				
WG 9	350	100	2440				
WG 10	400	100	2440				
WG 11	450	100	2440				
WG 12	500	100	2440				
WG 13	550	100	2440				
WG 14	600	100	2440				
WG 15	650	100	2440				
WG 16	700	100	2440				
WG 17	750	100	2440				
WG 18	800	100	2440				

E : Epoxy Powder Paint G : Hot Dip Galvanized


Standard Length : Straight = 2400 mm
Cover = 2400 mm

■ IS-3 Steel Wireway

Horizontal 90° Elbows Inside Open

IS-3E Epoxy Powder Paint IS-3G Hot Dip Galvanized

Size (W x H)	Thickness (mm)			
	1.0	1.2	1.5	2.0
75 x 50				
100 x 50				
100 x 75				
100 x 100				
150 x 100				
200 x 100				
250 x 100				
300 x 100				
350 x 100				
400 x 100				
450 x 100				
500 x 100				
550 x 100				
600 x 100				
650 x 100				
700 x 100				




■ IS-4 Steel Wireway

Horizontal 90° Tee Top Open

IS-4E Epoxy Powder Paint IS-4G Hot Dip Galvanized

Size (W x H)	Thickness (mm)			
	1.0	1.2	1.5	2.0
75 x 50				
100 x 50				
100 x 75				
100 x 100				
150 x 100				
200 x 100				
250 x 100				
300 x 100				
350 x 100				
400 x 100				
450 x 100				
500 x 100				
550 x 100				
600 x 100				
650 x 100				
700 x 100				




■ IS-5 Steel Wireway

Horizontal Crosses Top Open

IS-5E Epoxy Powder Paint IS-5G Hot Dip Galvanized

Size (W x H)	Thickness (mm)			
	1.0	1.2	1.5	2.0
75 x 50				
100 x 50				
100 x 75				
100 x 100				
150 x 100				
200 x 100				
250 x 100				
300 x 100				
350 x 100				
400 x 100				
450 x 100				
500 x 100				
550 x 100				
600 x 100				
650 x 100				
700 x 100				



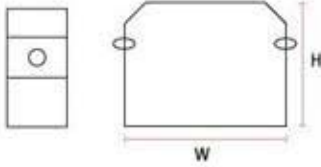
■ IS-6 Steel Wireway

Horizontal Reduce

IS-6E Epoxy Powder Paint IS-6G Hot Dip Galvanized

Size (W1,W2 x H)	Thickness (mm)			
	1.0	1.2	1.5	2.0
100,75 x 50				
150,100 x 50				
200,W2 x 100				
250,W2 x 100				
300,W2 x 100				
350,W2 x 100				
400,W2 x 100				
450,W2 x 100				
500,W2 x 100				
550,W2 x 100				
600,W2 x 100				
650,W2 x 100				
700,W2 x 100				





■ IS-7 Steel Wireway Accessories

Hanger Support

IS-7E Epoxy Powder Paint

Size (W x H)	Thickness (mm)		
	1.0	1.5	2.0
75 x 50	75.-		
100 x 50	85.-		
100 x 75	90.-		
100 x 100	100.-		
150 x 100	110.-		
200 x 100	130.-		

IS-7G Hot Dip Galvanized

Size (W x H)	Thickness (mm)		
	1.0	1.5	2.0
75 x 50	95.-		
100 x 50	105.-		
100 x 75	110.-		
100 x 100	120.-		
150 x 100	130.-		
200 x 100	140.-		

■ IS-8 Steel Wireway

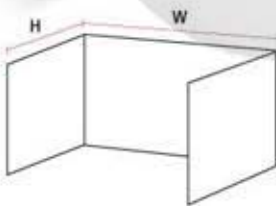
Connector

IS-8E Epoxy Powder Paint

Size (W x H)	Thickness (mm)		
	1.0	1.5	2.0
75 x 50			
100 x 50			
100 x 75			
100 x 100			
150 x 100			
200 x 100			
250 x 100			
300 x 100			
350 x 100			
400 x 100			
450 x 100			
500 x 100			
550 x 100			
600 x 100			
650 x 100			
700 x 100			

IS-8G Hot Dip Galvanized

Size (W x H)	Thickness (mm)		
	1.0	1.5	2.0
75 x 50			
100 x 50			
100 x 75			
100 x 100			
150 x 100			
200 x 100			
250 x 100			
300 x 100			
350 x 100			
400 x 100			
450 x 100			
500 x 100			
550 x 100			
600 x 100			
650 x 100			
700 x 100			



■ IS-9 Steel Wireway

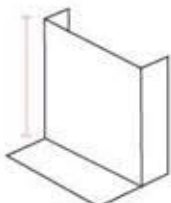
Flang End

IS-9E Epoxy Powder Paint

Size H	Thickness (mm)		
	1.0	1.5	2.0
50			
75			
100			
150			

IS-9G Hot Dip Galvanized

Size H	Thickness (mm)		
	1.0	1.5	2.0
50			
75			
100			
150			

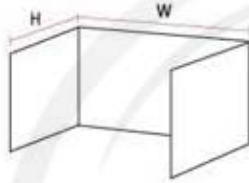


■ IS-10 Steel Wireway Accessories

End Cap

IS-10E Epoxy Powder Paint IS-10G Hot Dip Galvanized

Size (W x H)	Thickness (mm)		
	1.0	1.5	2.0
75 x 50			
100 x 50			
100 x 75			
100 x 100			
150 x 100			
200 x 100			
250 x 100			
300 x 100			
350 x 100			
400 x 100			
450 x 100			
500 x 100			
550 x 100			
600 x 100			
650 x 100			
750 x 100			



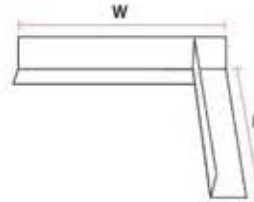
■ IS-11 Steel Wireway

WBK

IS-11E Epoxy Powder Paint IS-11G Hot Dip Galvanized

Size (W x H)	Thickness (mm)
	2.0
200 x 200	
300 x 300	
400 x 400	

Size (W x H)	Thickness (mm)
	2.0
200 x 200	
300 x 300	
400 x 400	



■ IS-12 Steel Wireway

Separator

IS-12E Epoxy Powder Paint

IS-12G Hot Dip Galvanized

Size (H x L x Thick)
50 x 2240 x 0.6
70 x 2240 x 0.6
100 x 2240 x 0.6
150 x 2240 x 0.6
50 x 2240 x 1.0
70 x 2240 x 1.0
100 x 2240 x 1.0
150 x 2240 x 1.0
50 x 2240 x 1.2
70 x 2240 x 1.2
100 x 2240 x 1.2
150 x 2240 x 1.2
50 x 2240 x 1.5
70 x 2240 x 1.5
100 x 2240 x 1.5
150 x 2240 x 1.5
50 x 2440 x 2.0
70 x 2440 x 2.0
100 x 2440 x 2.0
150 x 2440 x 2.0

Size (H x L x Thick)
50 x 2240 x 0.6
70 x 2240 x 0.6
100 x 2240 x 0.6
150 x 2240 x 0.6
50 x 2240 x 1.0
70 x 2240 x 1.0
100 x 2240 x 1.0
150 x 2240 x 1.0
50 x 2240 x 1.2
70 x 2240 x 1.2
100 x 2240 x 1.2
150 x 2240 x 1.2
50 x 2240 x 1.5
70 x 2240 x 1.5
100 x 2240 x 1.5
150 x 2240 x 1.5
50 x 2440 x 2.0
70 x 2440 x 2.0
100 x 2440 x 2.0
150 x 2440 x 2.0

